

ACADEMY

MONITOR ARM SERIES



Grand Stands

Ergonomic Workstation Solutions

Since 1991 - Pioneers, Designers & Manufacturers of the Finest Custom Ergonomic Solutions

Ergonomic Design That Makes Working Comfortable

The market is awash in bouncy, flimsy monitor arms that have limited height range and rely on springs or gas cylinders for counter-balance support.

Grand Stands' **ACE20 DUAL** introduces industry changing **Friction Support Technology**. The **ACE20 DUAL** is a true sit-stand monitor arm with 20" of height range that greatly exceeds the industry standard 10" to 13".

Our intelligent engineering provides ease of use and stability when typing. With no bottom weight load, the **ACE20 DUAL** supports two 27" monitors up to 10 lbs. each.

Features

- ▶ Supports two 27" Monitors
- ▶ 20" of Vertical Height Range
- ▶ True Sit to Stand Without Tall Ugly Poles
- ▶ Tilt Adjustment, Swivels Portrait to Landscape
- ▶ 27.5" Front to Back Distance, Compacts to 4"
- ▶ Clamp and Grommet Mount Included
- ▶ 0 to 20 Pounds of Supported Weight for Dual Monitor
- ▶ Very Stable and Limited Bounce When The User is Typing
- ▶ Standard Color Silver (-S)
- ▶ Internal Cable Management



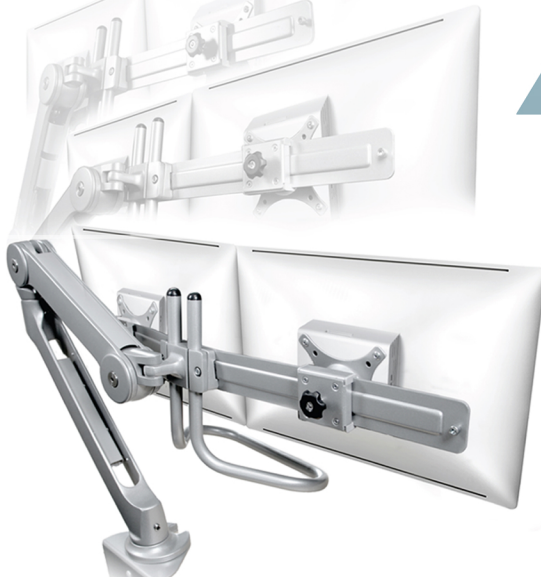
ACE20 DUAL

Dual Bar
Monitor Arm System

Available Colors



Silver



ACE20-HD-2DB-S

Dual Bar Monitor Arm List Price \$702.00



ACADEMY

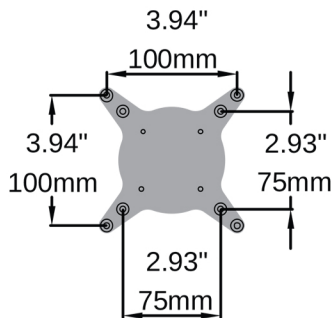
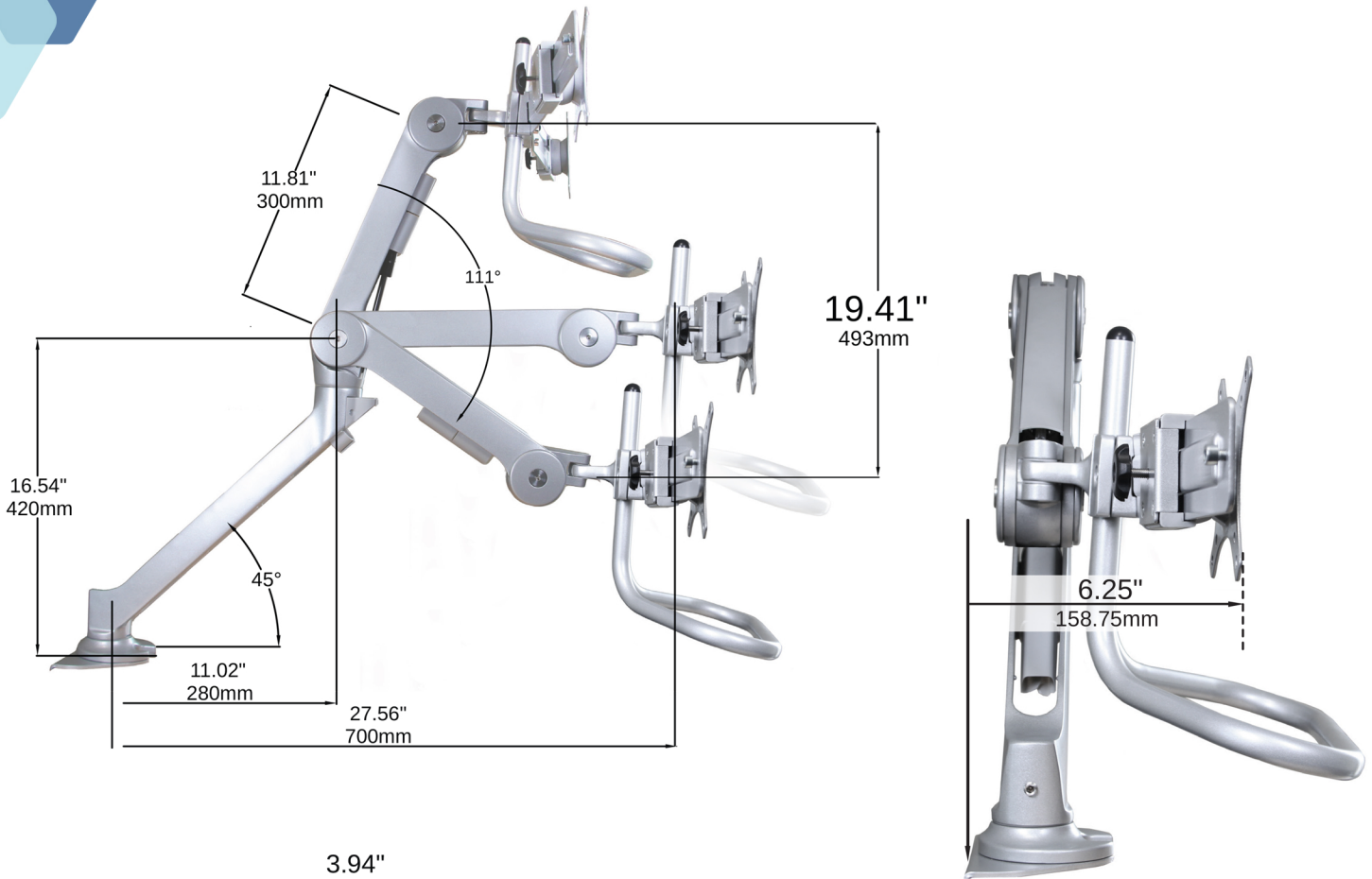
MONITOR ARM SERIES



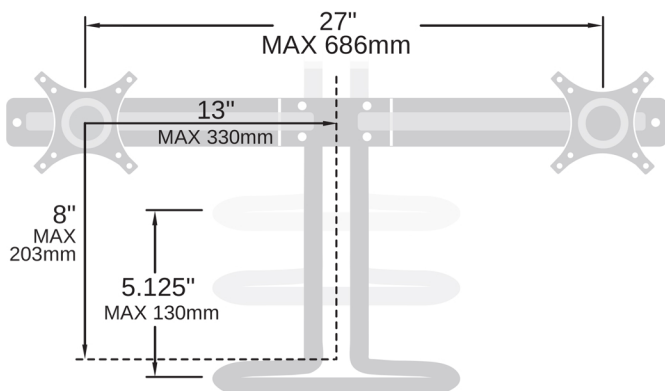
Grand Stands

Ergonomic Workstation Solutions

Since 1991 - Pioneers, Designers & Manufacturers of the Finest Custom Ergonomic Solutions



ACE20 DUAL



- Supports Two 27" Monitors
- Maximum Extension From Post: 34.41"
- Depth From Post (Closed): 0"
- Tilt Adjustment $\pm 15^\circ$
- Display Pan Swing - Side to Side: 180"
- VESA Compatibility: 75x75mm/100x100mm
- Height Range: 20"
- Weight Capacity: 0 - 20 lbs. Each Monitor